

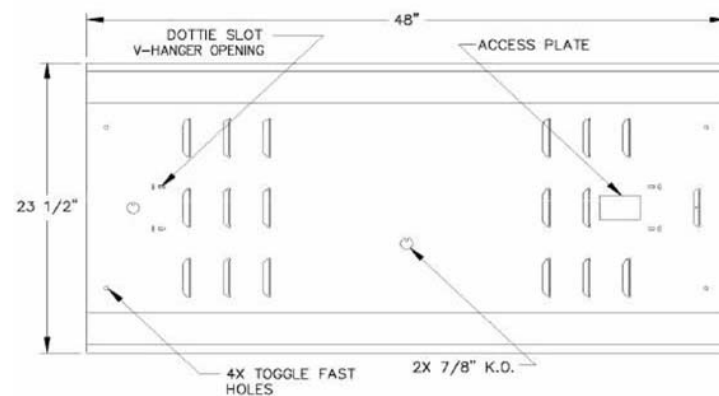
Commercial Grade T5 High Output Fluorescent Growth Lamps

Description: The ECOGRO series of plant growth fixtures are ideal for all applications from seed germination to total cycle lighting. These fixtures feature well ventilated, aluminum fixture bodies designed to maintain lower ballast compartment temperatures which make them suitable for higher ambient conditions found in greenhouse applications. In addition, they utilize enhanced aluminum specular reflectors with 95% reflectance thereby directing more light to where it is needed the most. Unlike traditional HID sources, these fixtures can be located much closer to the seedling or plants, thus delivering all the light that is needed while consuming far less energy.

Catalog Number: ECOGRO40K-8Lamp

Features:

- Heavy Duty 0.032 White Aluminum body dissipates heat at nearly 4 times the rate of steel.
- Enhanced aluminum specular reflector with 95% reflectance.
- 90°C Rated Electronic Ballasts from quality manufacturers. No noise or vibration.
- Low heat output—fixture can be located in close proximity to seedlings or plants for more effective use of light
- High output T5 Fluorescent Lamps with 5,000 initial lumens and 93% lumen maintenance.
- Standard 20' plug and cord.
- On/Off switch.
- Lightweight fixture design simplifies mounting.
- "V" hangers included.
- 2 year warranty on fixture.
- 1 year warranty on lamps.
- 8 lamps included with fixture, you choose 3000K, 4000K, 5000K, 6500K or any mixture of lamps that you prefer for your growth application.
- Dimensions: 23.5"W X 48"L X 3.5"D.
- Made in the U.S.A.



System Comparison Summary

Growth System	Lamp Type and Quantity	Initial Lamp Lumens	Lumen Maintenance	EOL Lamp Lumens	Total Fixture Lumens	Ballast Factor	Fixture Efficiency	Net EOL Lumens	Input Wattage	Effective Lumens Per Watt
EOGRO20K—8 Lamp	(8) FP54T5HO	5000	93%	4650	37,200	1.00	0.92	34,224	468	73.1
MH400W	MH400 M-59	38,000	58%	22,040	22,040	0.95	0.75	15,704	458	34.3
HPS400	HPS400 S-51	50,000	70%	35,000	35,000	0.95	0.75	24,937	464	53.7
HPS600	HPS600	90,000	70%	63,000	63,000	.95	.75	44,887	670	67.0



Commercial Quality T5 High Output Fluorescent Growth Fixtures

2007 Product Catalog



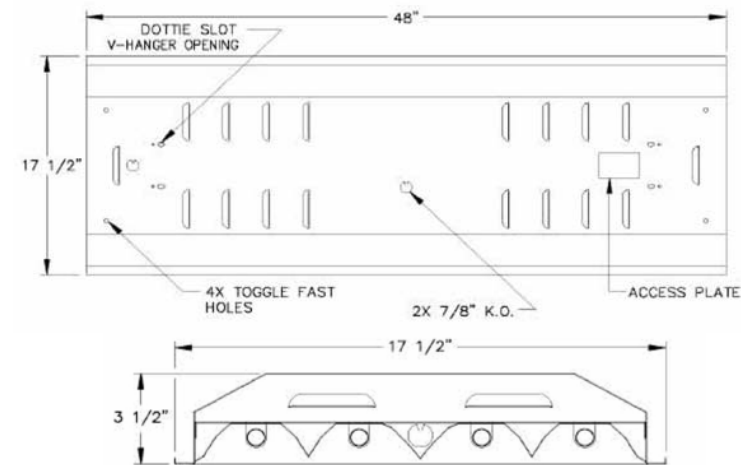
Commercial Grade T5 High Output Fluorescent Growth Lamps

Description: The ECOGRO series of plant growth fixtures are ideal for all applications from seed germination to total cycle lighting. These fixtures feature well ventilated, aluminum fixture bodies designed to maintain lower ballast compartment temperatures which make them suitable for higher ambient conditions found in greenhouse applications. In addition, they utilize enhanced aluminum specular reflectors with 95% reflectance thereby directing more light to where it is needed the most. Unlike traditional HID sources, these fixtures can be located much closer to the seedling or plants, thus delivering all the light that is needed while consuming far less energy.

Catalog Number: ECOGRO20K-4Lamp

Features:

- Heavy Duty 0.032 White Aluminum body dissipates heat at nearly 4 times the rate of steel.
- Enhanced aluminum specular reflector with 95% reflectance.
- 90°C Rated Electronic Ballasts from quality manufacturers. No noise or vibration.
- Low heat output—fixture can be located in close proximity to seedlings or plants for more effective use of light
- High output T5 Fluorescent Lamps with 5,000 initial lumens and 93% lumen maintenance.
- Standard 20' plug and cord.
- On/Off switch.
- Lightweight fixture design simplifies mounting.
- "V" hangers included.
- 2 year warranty on fixture.
- 1 year warranty on lamps.
- 4 lamps included with fixture, you choose 3000K, 4000K, 5000K, 6500K or any mixture of lamps that you prefer for your growth application.
- Dimensions: 17.5"W X 48"L X 3.5"D.
- Made in the U.S.A.



System Comparison Summary

Growth System	Lamp Type and Quantity	Initial Lamp Lumens	Lumen Maintenance	EOL Lamp Lumens	Total Fixture Lumens	Ballast Factor	Fixture Efficiency	Net EOL Lumens	Input Wattage	Effective Lumens Per Watt
EOGRO20K—4 Lamp	(4) FP54T5HO	5000	93%	4650	18,600	1.00	0.92	17,112	234	73.1
MH250W	MH250 M-58	20,500	58%	19,564	11,890	0.95	0.75	8471	295	28.7
MH400W	MH400 M-59	38,000	58%	22,040	22,040	0.95	0.75	15,704	458	34.3
HPS400	HPS400 S-51	50,000	70%	35,000	35,000	0.95	0.75	24,937	464	53.7

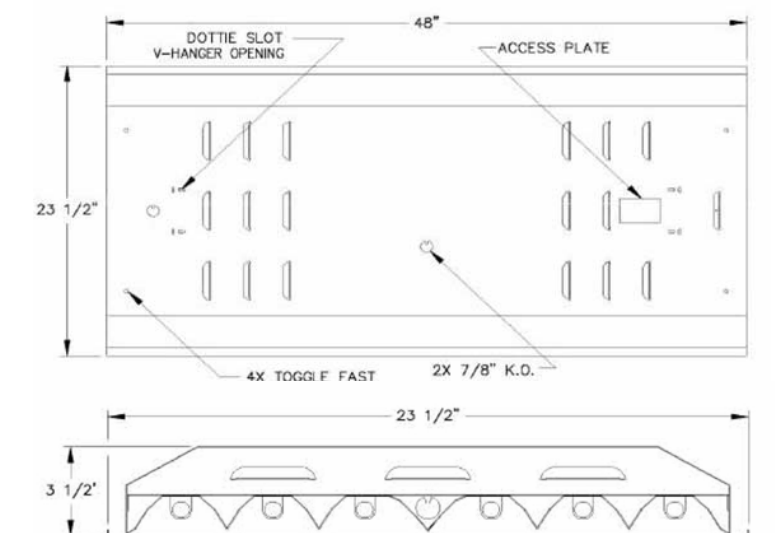
Commercial Grade T5 High Output Fluorescent Growth Lamps

Description: The ECOGRO series of plant growth fixtures are ideal for all applications from seed germination to total cycle lighting. These fixtures feature well ventilated, aluminum fixture bodies designed to maintain lower ballast compartment temperatures which make them suitable for higher ambient conditions found in greenhouse applications. In addition, they utilize enhanced aluminum specular reflectors with 95% reflectance thereby directing more light to where it is needed the most. Unlike traditional HID sources, these fixtures can be located much closer to the seedling or plants, thus delivering all the light that is needed while consuming far less energy.

Catalog Number: ECOGRO30K-6Lamp

Features:

- Heavy Duty 0.032 White Aluminum body dissipates heat at nearly 4 times the rate of steel.
- Enhanced aluminum specular reflector with 95% reflectance.
- 90°C Rated Electronic Ballasts from quality manufacturers. No noise or vibration.
- Low heat output—fixture can be located in close proximity to seedlings or plants for more effective use of light
- High output T5 Fluorescent Lamps with 5,000 initial lumens and 93% lumen maintenance.
- Standard 20' plug and cord.
- On/Off switch.
- Lightweight fixture design simplifies mounting.
- "V" hangers included.
- 2 year warranty on fixture.
- 1 year warranty on lamps.
- 6 lamps included with fixture, you choose 3000K, 4000K, 5000K, 6500K or any mixture of lamps that you prefer for your growth application.
- Dimensions: 23.5"W X 48"L X 3.5"D.
- Made in the U.S.A.



System Comparison Summary

Growth System	Lamp Type and Quantity	Initial Lamp Lumens	Lumen Maintenance	EOL Lamp Lumens	Total Fixture Lumens	Ballast Factor	Fixture Efficiency	Net EOL Lumens	Input Wattage	Effective Lumens Per Watt
EOGRO30K—6 Lamp	(6) FP54T5HO	5000	93%	4650	27,900	1.00	0.92	25,668	351	73.1
MH400W	MH400 M-59	38,000	58%	22,040	22,040	0.95	0.75	15,704	458	34.3
HPS400	HPS400 S-51	50,000	70%	35,000	35,000	0.95	0.75	24,937	464	53.7